

SERVICE NOTE

Date: 21 September 2011

Object:

- Maintenance of engine mount 912 (n°E305020) of trikes arv Tanarg and LST Skypper

Aircraft concerned:

- All versions of trikes arv Tanarg and LST Skypper equipped with a Rotax 912 engine.

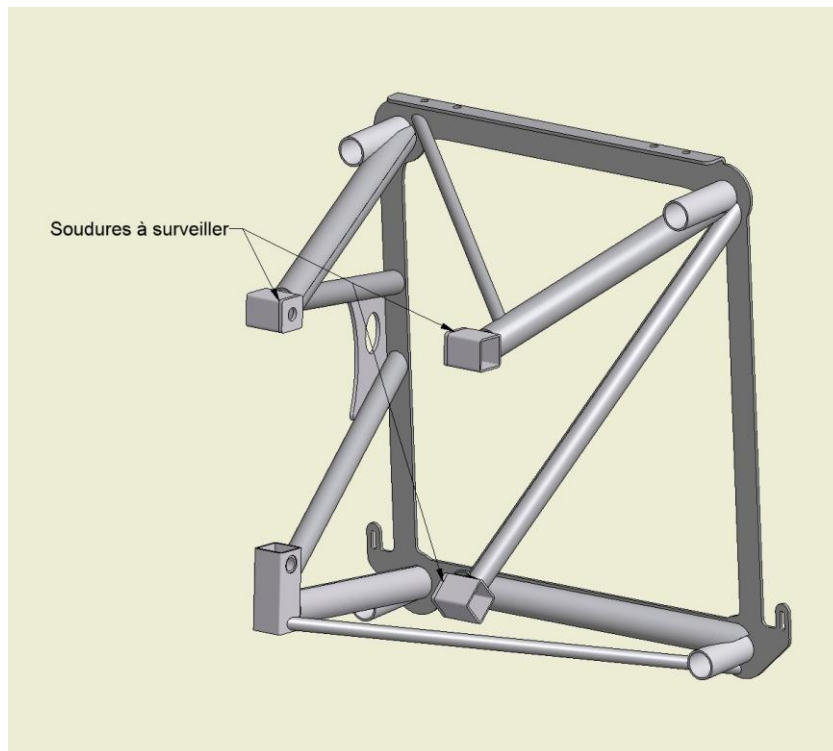
The engine mount is an essential part that requires careful attention. On one trike, equipped with a 912 engine, a crack in the soldering between one of the holding plates and its rectangular tube.

Action to be taken:

- You are requested to check this area carefully before your next flight.
- The checking of this particular point should be included in the 25-hour inspection visits.
- In case of cracking, do not fly and contact the factory for the replacement of the engine mount.

Corrective action taken in the factory:

- Modification of the soldering process.



Soldering areas to be checked